

# Switch-Pro<sup>TM</sup> with Compact Relay Controller

Switch-Pro A\_13-\_1\_\_ 0412 DS0\_1

## Specifications

Set point range:	AT1_: .04 to 3 fps (.012 to .91 mps) AG1_: 1 to 90 fps (.3 to 27 mps)
Factory set point:	AT1_: .2 fps (.06 mps) AG1_: 10 fps (3 mps)
Repeatability:	±.5% of set point @ fixed temp.
Response time:	1-10 seconds
Set point adjust.:	Potentiometer
Viscosity range:	AT1_: 1-200 centipoise AG1_: N/a
Supply voltage:	120/240 VAC @ 50-60 Hz.
Contact type:	(1) SPDT relay
Contact rating:	250 VAC @ 10A
Contact delay:	0-60 seconds
LED indication:	Power, relay and sensor status
Strobe type:	_61_: Xenon tube _62_: N/a
Strobe flash:	_61_: 1 per second _62_: N/a
Process temp.:	F: 32° to 140° C: 0° to 60°
Electronics temp.:	F: -40° to 140° C: -40° to 60°
Pressure:	150 psi (10 bar) @ 25° C., derated @ 1.667 psi (.113 bar) per °C. above 25° C.
Wetted material:	16__: PP-Ryton® 36__: PVDF Kynar®
Process mount:	3/4" NPT (3/4" G)
Mount. gasket:	Viton® (G version only)
Enclosure rating:	NEMA 4X (IP65)
Encl. material:	_61_: PP, UL94VO and polycarbonate _62_: PP, UL94VO
Conduit entrance:	Single, 1/2" NPT
Classification:	General purpose
CE compliance:	EN 50082-2 immunity EN 55011 emission EN 61010-1 safety



## Description

This general purpose liquid or gas switch package provides a complete solution for low flow pump or process protection with a 10A compact relay controller for actuation. The optional flash alarm brings immediate attention to low flow conditions. The short sensor is intended for use in pipe or ducting from 1/2" to 1-1/2"; the long sensor is applied in 2" and up. The product is broadly selected for low or no-flow applications. Specify the appropriate sensor technology, length and material. The AC powered relay controller has a 10A relay, adjustable time delay, LED indicators and NO or NC invert switch. The rugged NEMA 4X enclosure is made of UL approved fire retardant PP and features a 300° swivel base.

## Features

- ✓ PP or PVDF Kynar® wetted material for challenging corrosive fluids
- ✓ Fail-safe relay control of pumps and valves with 0-60 second time delay
- ✓ Compact flash alarm indicates alarm status to on-site personnel
- ✓ Offered in liquid and gas configurations for broad application



## Switch-Pro Ordering

A  1  -  6

### Sensor technology (1)

- T Liquid
- G Gas

### Sensor length (2) (3)

- 2 Short
- 4 Long

### Sensor material

- 1 PP
- 3 PVDF

### Configuration (4) (5)

- 1 Controller with Strobe Alert
- 2 Controller only

### Process mount (6)

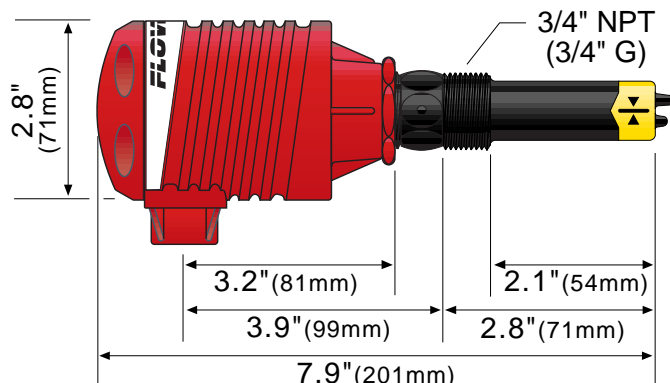
- 0 3/4" NPT (US)
- 4 3/4" G (Metric)

### Ordering Notes

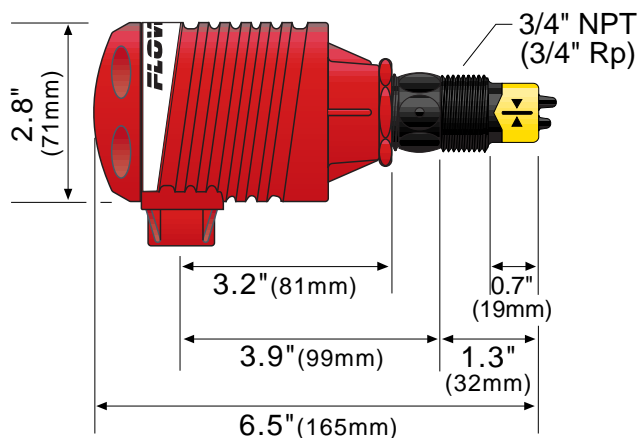
- 1) Select the sensor technology based upon the media type in your application.
- 2) Select the short sensor for use with pipe sizes from 3/4"-1 1/2" (D25-D50) and the long sensor for 2" and higher (D63 up).
- 3) Select the Pulse-Point fitting to dampen the pulsating flow of liquid metering pumps. Order the FT50-1000 (PP) fitting or the FT50-5000 (PVDF) fitting. The FT50 is compatible with the short NPT flow switch.
- 4) To factory configure for 240 VAC, place an E at the end of the P/N: (ie: AT12-1610-E).
- 5) To order the CE configuration, place CE at the end of the P/N: (ie: AT12-1610-CE).
- 6) The straight G thread version seals with an included Viton® mounting gasket.

# Switch-Pro™ with Compact Relay Controller

## Long Sensor



## Short Sensor



Specifications are subject to change without notice.

## Sensors



### Liquid

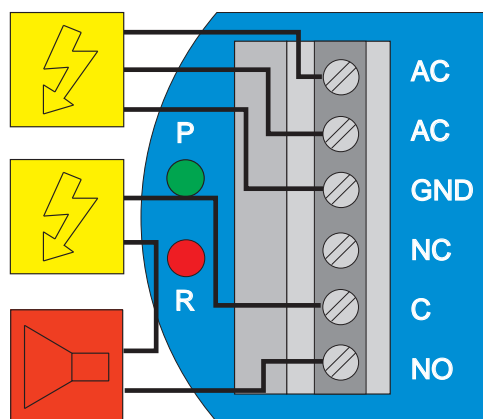
- Best applied in clean water or water-like chemical media that is non-coating or crystallizing



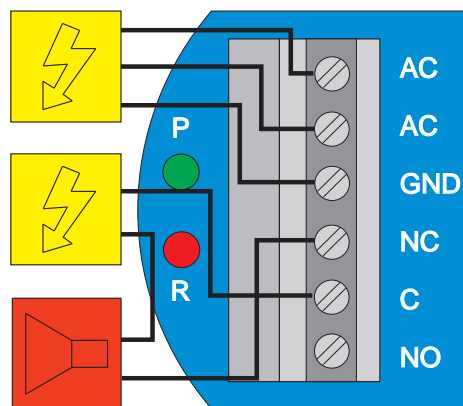
### Gas

- Broadly applied in clean air or aggressive media that is non-coating and particle free

## Flow/No-Flow Alarm - Invert Off



## Flow/No-Flow Alarm - Invert Off



**Warning:** The use of an appropriate motor starter or secondary relay is recommended with pumps, valves or alarms to prevent damage to the relay contacts. The use of suppressors (snubbers) is strictly recommended when switching inductive loads.