

# Switch-Pro™ with Compact Junction Box

Switch-Pro A\_1\_-1\_ 0606 DS0\_2

## Specifications

Orientation:	± 20° horizontal
Process temp.:	F: -40° to 194° C: -40° to 90°
Pressure:	AU1_: 150 psi (10 bar) AZ1_: 150 psi (10 bar)
Wetted material:	AU1_: PP / PFA AZ1_: PP-Ryton®
Process mount:	3/4" NPT (3/4" G)
Enclosure rating:	NEMA 4X (IP65)
Encl. material:	PP, UL94VO
Conduit entrance:	Single, 1/2" NPT
Termination:	2-4 poles
CE compliance:	EN 61326 EMC EN 61010-1 safety

<b>Ultrasonic sensor</b>	
Supply voltage:	12-36 VDC
Consumption:	25 mA maximum
Contact type:	(1) SPST relay
Contact rating:	GP: 60 VA IS: 32 VDC @ 0.5A
Contact output:	Selectable NO/NC
Classification:	Intrinsically safe

<b>Vibration sensor</b>	
Supply voltage:	12-36 VDC
Consumption:	25 mA maximum
Contact type:	(1) SPST relay
Contact rating:	60 VA
Contact output:	Selectable NO/NC
Classification:	General purpose



## Description

Installed through the side wall and offered in CSA and Cenelec approved intrinsically safe or general purpose configurations, this high or low level switch package includes a 1A relay or dry contact closure for remote PLC, SCADA or alarm interface. The product is typically selected for bulk storage, day tank and process vessel applications. Specify the appropriate sensor technology and material. The NEMA 4X enclosure is made of UL approved fire retardant PP and features a 300° swivel base for easy conduit alignment. The power and switch conductors are prewired to the terminal strip.

## Features

- ✓ PP, PVDF or PFA wetted material for challenging corrosive liquids
- ✓ Offered in 3 sensing technologies for broad application coverage
- ✓ PP enclosure rated NEMA 4X with 300° conduit swivel base



## Switch-Pro Ordering

A  1  -  13

### Sensor technology (1)

- Z Vibration
- U Ultrasonic

### Contacts / classification (2)

- 5 SPST relay / IS
- 6 SPDT reed / GP
- 8 SPST relay / GP

### Wetted material (3)

- 1 PP
- 2 PFA

### Process mount (4)

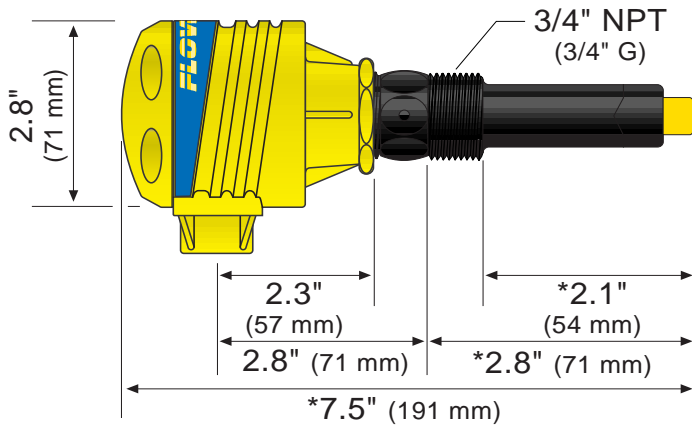
- 0 3/4" NPT (US)
- 4 3/4" G (Metric)

### Ordering Notes

- 1) Select the best sensor technology based upon your application.
- 2) The following are the available contacts for each sensor technology:  
Ultrasonic: 5 type only  
Vibration: 8 type only
- 3) The following are the available wetted materials for each sensor technology:  
Ultrasonic: 1 and 2 type  
Vibration: 1 type only
- 4) The straight G thread version seals with an included Viton® mounting gasket.

# Switch-Pro™ with Compact Junction Box

## Smart Trak Profile



Specifications are subject to change without notice.

## Sensors



### Vibration

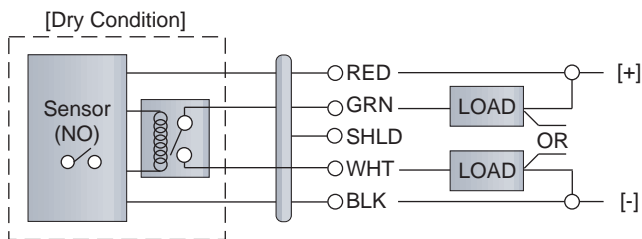
- Typically applied in wastewater media with light coating and/or foaming characteristics
- General purpose classification



### Ultrasonic

- Broadly applied in chemical, solvent, hydrocarbon and light weight oil media
- Intrinsically safe classification

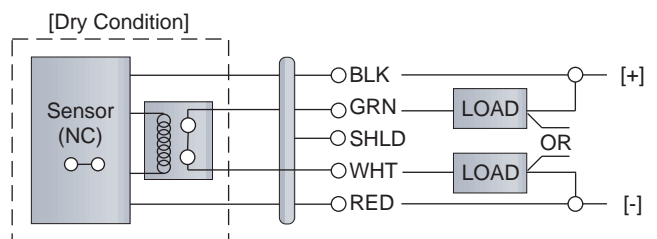
## NO Output - DC Powered Load



**SENSOR POWER**  
[RED & BLK Wires]  
36 VDC Max.  
5-1 mA Dry  
19-1 mA Wet

**RELAY RATING**  
[GRN & WHT Wires]  
60 VA Max.

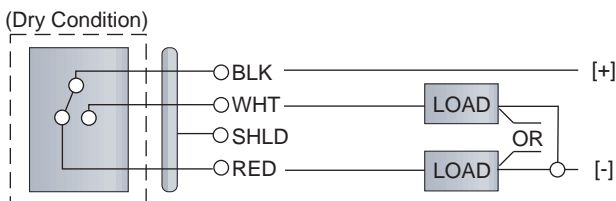
## NC Output - DC Powered Load



**SENSOR POWER**  
[RED & BLK Wires]  
36 VDC Max.  
19-1 mA Dry  
5-1 mA Wet

**RELAY RATING**  
[GRN & WHT Wires]  
60 VA Max.

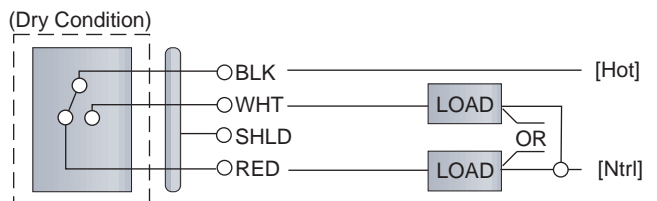
## DRY - DC Powered Load



**SENSOR WIRING**  
NO - WHT & BLK Wires  
NC - RED & BLK Wires

**SENSOR RATING**  
-13\_1: 120 VAC/VDC @ 15 VA

## DRY - AC Powered Load



**SENSOR WIRING**  
NO - WHT & BLK Wires  
NC - RED & BLK Wires

**SENSOR RATING**  
-13\_1: 120 VAC/VDC @ 15 VA