

Switch-Tek™ Vibration Level Switch

Switch-Tek Vibration LZ12 0510 DS2_7

Features

- ✓ Automatic coating adjustment optimizes sensor performance with media build-up
- ✓ Ryton® sensor and PP cable rated NEMA 6 or IP68
- ✓ Coating preventative maintenance alarm saves time and money
- ✓ 1A relay selectable NO or NC via power supply wiring polarity

Specifications

Orientation:	Universal
Accuracy:	± 1 mm in water
Repeatability:	± 0.5 mm in water
Supply voltage:	12-30 VDC
Consumption:	25 mA maximum
Contact type:	(1) SPST relay
Contact rating:	60 VA
Contact output:	Selectable NO/NC
Maint. alarm:	NPN transistor, 10 mA max.
Process temp.:	F: -40° to 176° C: -40° to 80°
Pressure:	150 psi (10 bar) @ 25° C., derated @ 1.667 psi (.113 bar) per °C. above 25° C.
Sensor rating:	NEMA 6 (IP68)
Sensor material:	Ryton® (glass filled), Viton® cable grommet
Cable jacket mat.:	Polypropylene
Cable type:	5-conductor, #24 AWG (shielded)
Cable length:	Standard: 10' (3m) Special order: 25' (7.6m) or 50' (15.2m)
Process mount:	3/4" NPT (3/4" G)
Mount. gasket:	Viton®
Classification:	General purpose
CE compliance:	EN 61326 EMC (pending) EN 61010-1 safety



Using advanced self-learning technology, the level switch automatically adjusts to increased material build-up on the forks for maximum coating performance. If the coating becomes too significant, then the sensor will actuate a transistor alarm for proactive maintenance.

Description

The general purpose vibration level switch is a great choice for dirty liquids including those with light to medium coating, scaling or foaming characteristics. Media examples include wastewater, diluted caustic soda and light weight oil. For optimum performance and proactive maintenance, the sensor automatically adjusts for coating build up, and if necessary, outputs a preventative maintenance alarm. The 1A relay provides a reliable switch interface with remote devices such as a PLC, SCADA or alarm. The submersible sensor is universally mounted through the wall or inside the tank.

Vibration

Ordering

LZ12-14 5

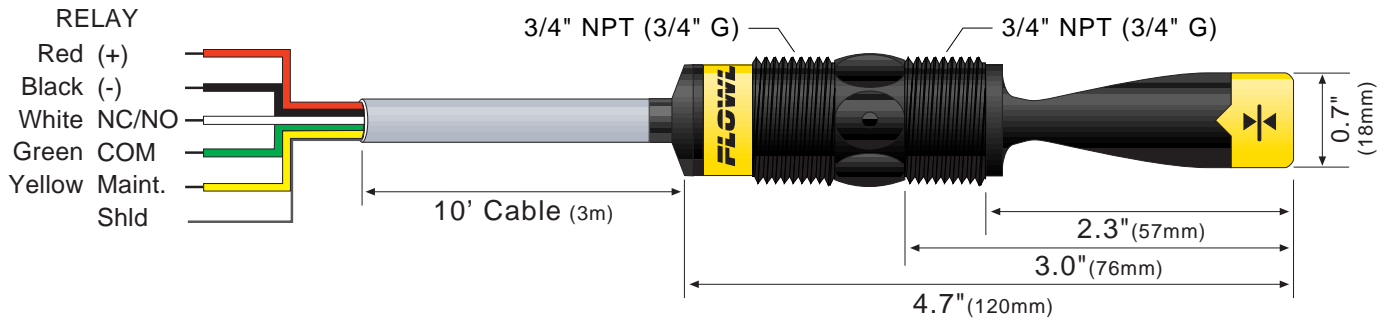
Process mount (1)
0 3/4" NPT (US)
2 3/4" G (Metric)

Ordering Notes

- 1) To special order a 25' (7.6m) or 50' (15.2 m) sensor cable, place the cable length at the end of the part number (ie: LZ12-1405-25).

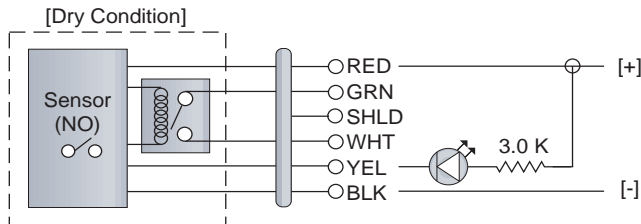
Switch-Tek™ Vibration Level Switch

LZ12-14_5 Dimensions

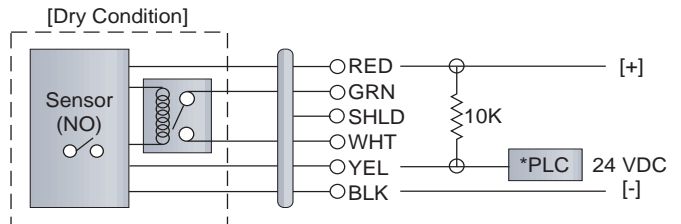


Specifications are subject to change without notice.

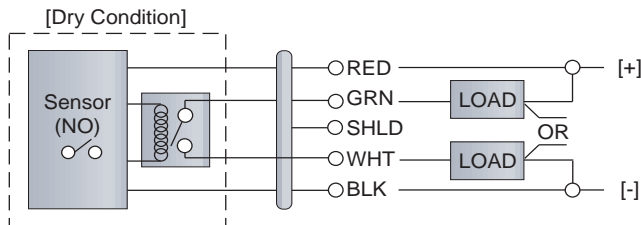
Maintenance Output to LED



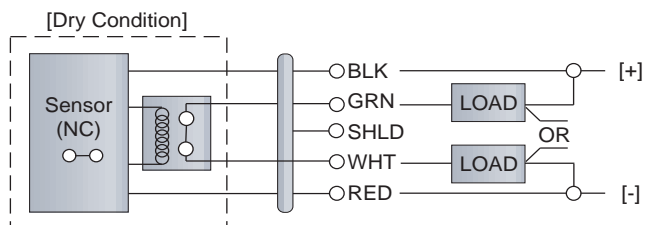
Maintenance Output to PLC



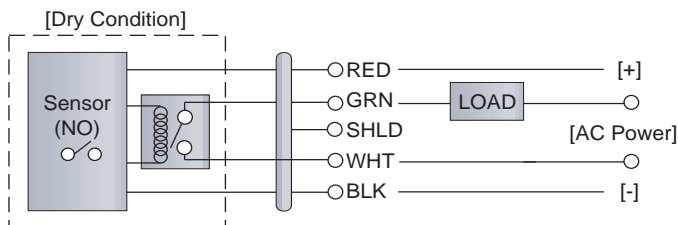
NO Output - DC Powered Load



NC Output - DC Powered Load



NO Output - AC Powered Load



NC Output - AC Powered Load

