

Switch-Pro™ with Compact Junction Box

Switch-Pro A_1_-_63_0412 DS0_1

Specifications

Set point range:	AT1_: .04 to 3 fps (.012 to .91 mps) AG1_: 1 to 90 fps (.3 to 27 mps)
Factory set point:	AT1_: .2 fps (.06 mps) AG1_: 10 fps (3 mps)
Repeatability:	±.5% of set point @ fixed temp.
Response time:	1-10 seconds
Set point adjust.:	Potentiometer
Viscosity range:	AT1_: 1-200 centipoise AG1_: N/a
Supply voltage:	12-36 VDC
Consumption:	70 mA maximum
Contact type:	(1) SPST relay
Contact rating:	60 VA
Contact output:	Selectable NO/NC
LED indication:	Flow status
Process temp.:	F: 32° to 140° C: 0° to 60°
Electronics temp.:	F: -40° to 140° C: -40° to 60°
Pressure:	150 psi (10 bar) @ 25° C., derated @ 1.667 psi (.113 bar) per °C. above 25° C.
Wetted material:	161_: PP-Ryton® 163_: PVDF Kynar®
Process mount:	3/4" NPT (3/4" G)
Mount. gasket:	Viton® (G version only)
Enclosure rating:	NEMA 4X (IP65)
Encl. material:	PP, UL94VO
Conduit entrance:	Single, 1/2" NPT
Termination:	4-poles
Classification:	General purpose
CE compliance:	EN 50082-2 immunity EN 55011 emission EN 61010-1 safety



Description

This general purpose liquid or gas switch package provides a low flow detection solution for pump or process protection with a 1A relay interface for remote devices such as a PLC, SCADA or alarm. The short sensor is intended for use in pipe or ducting from 1/2" to 1 1/2"; the long sensor is applied in 2" and up. The product is broadly selected for low or no-flow applications. Specify the appropriate sensor technology, length and material. For pump, valve or alarm automation, package your flow switch with our remote relay controllers. The controllers feature 10A relays, adjustable time delays, LED indicators, and NO or NC invert switches.

Features

- ✓ PP or PVDF Kynar® wetted material for challenging corrosive fluids
- ✓ 1A relay selectable NO or NC via power supply wiring polarity
- ✓ Offered in liquid and gas configurations for broad application
- ✓ PP enclosure rated NEMA 4X with 300° conduit swivel base



Switch-Pro Ordering

A 1 - 63

Sensor technology (1)

T Liquid
G Gas

Sensor length (2) (3)

7 Short
8 Long

Sensor material

1 PP
3 PVDF

Process mount (4)

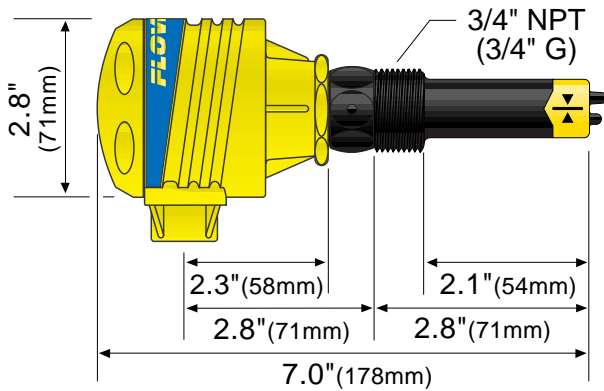
0 3/4" NPT (US)
4 3/4" G (Metric)

Ordering Notes

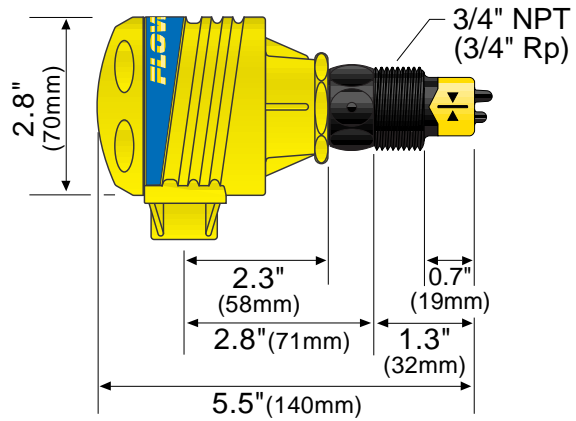
- 1) Select the sensor technology based upon the media type in your application.
- 2) Select the short sensor for use with pipe sizes from 3/4"-1 1/2" (D25-D50) and the long sensor for 2" and higher (D63 up).
- 3) Select the Pulse-Point fitting to dampen the pulsating flow of liquid metering pumps. Order the FT50-1000 (PP) fitting or the FT50-5000 (PVDF) fitting. The FT50 is compatible with the short NPT flow switch.
- 4) The straight G thread version seals with an included Viton® mounting gasket.

Switch-Pro™ with Compact Junction Box

Long Sensor



Short Sensor



Specifications are subject to change without notice.

Sensors



Liquid

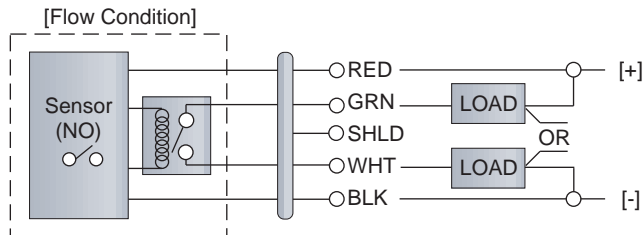
- Best applied in clean water or water-like chemical media that is non-coating or crystallizing



Gas

- Broadly applied in clean air or aggressive media that is non-coating and particle free

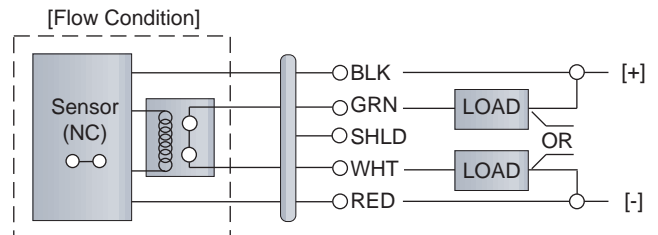
NO Output - DC Powered Load



SENSOR POWER
[RED & BLK Wires]
36 VDC Max.
5 -1 mA Dry
19 -1 mA Wet

RELAY RATING
[GRN & WHT Wires]
120 VAC/120 VDC Max.
1A Max.

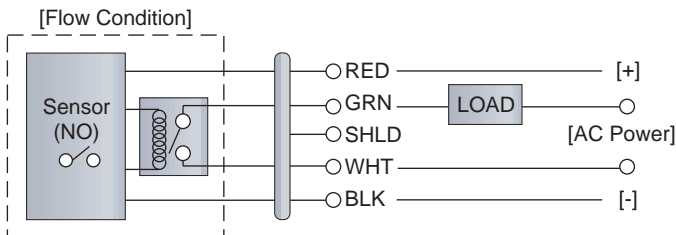
NC Output - DC Powered Load



SENSOR POWER
[RED & BLK Wires]
36 VDC Max.
5 -1 mA Dry
19 -1 mA Wet

RELAY RATING
[GRN & WHT Wires]
120 VAC/120 VDC Max.
1A Max.

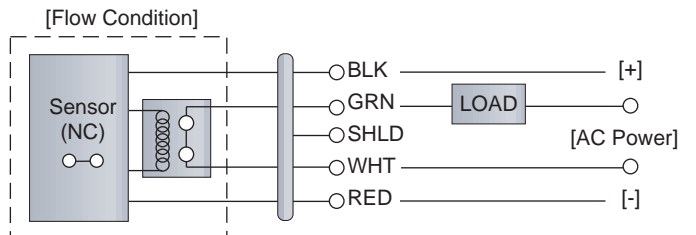
NO Output - AC Powered Load



SENSOR POWER
[RED & BLK Wires]
36 VDC Max.
5 -1 mA Dry
19 -1 mA Wet

RELAY RATING
[GRN & WHT Wires]
120 VAC/120 VDC Max.
1A Max.

NC Output - AC Powered Load



SENSOR POWER
[RED & BLK Wires]
36 VDC Max.
5 -1 mA Dry
19 -1 mA Wet

RELAY RATING
[GRN & WHT Wires]
120 VAC/120 VDC Max.
1A Max.