



SALIENT FEATURES

- Monitor the concentration of dissolved solids in water.
- Typical accuracy is $\pm 2\%$ Full Scale.
- Various options (0.01/0.1/1.0) for Cell Constants available.
- Auto / Manual Temperature Compensation Sensor.
- Long life & require low maintenance.
- Flow case optionally available.



DESCRIPTION

Electronet's Series CS-001 are Conductivity Sensors designed for fast, easy, & trouble free start-up. These Sensors are ideal for monitoring the concentration of dissolved solids in water. They are provided with an accurate predetermined factory calibration constants. Rugged design & corrosion resistant material keep electrode spacing & surface area constant, so cell constant remain stable for long periods. Durability of material & high resistance to corrosion ensures the long life & require low maintenance.

TECHNICAL SPECIFICATIONS

Cell Constants	: 0.01 / 0.1 / 1.0
Range	: 1)100 S - for 0.01 Cell Constant 2)1,000 S - for 0.1 Cell Constant 3)10,000 S - for 1.0 Cell Constant
Temperature Range	: 0 - 150 °C
Maximum Pressure	: 0 - 10 Kg/cm ²
Temp. Compensation	: Auto / Manual through Pt 100 element (0 - 100 °C)
Accuracy	: $\pm 2\%$ Full Scale
Insrtion Length	: 1) For cell Constant 0.01 - 2.00 inch 2) For cell Constant 0.1 - 1.25 inch 3) For Cell Constant 1.0 - 1.25 inch
IProcess Connection	: 3/4 " NPT (M)
MOC	: SS 316
MOC of Flow Case	: SS 316 / Teflon
Std. Cable Length	: 3 mtr.(Teflon Coated.)
Installation	: Insertion (Screw-in)

CODIFICATION FOR CS 001

CODE CELL CONSTANT
 01 : 0.01
 02 : 0.1
 03 : 1.0

CODE TEMPERATURE COMPENSATION
 01 : NONE
 02 : THOUGH PT 100 ELEMENT
 03 : OTHER PI. SPECIFY

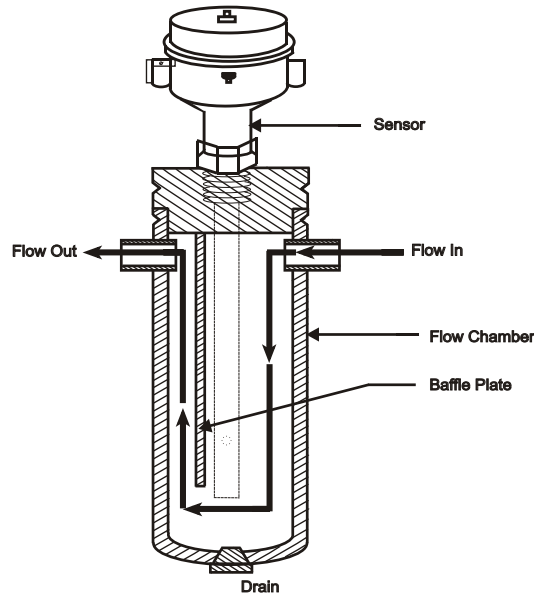
CODE FLOW CASE
 01 : NONE
 02 : REQUIRED IN SS
 03 : REQUIRED IN PP

CODE PROCESS CONNECTION
 01 : 3/4" BSP/NPT (M) THREADED
 02 : 1" SS FLANGE ASA 150 #

CS 001 01 01 01 01

SAMPLE MODEL NUMBER

MOUNTING DETAILS



Due to our continuous product revisions, Design, Specifications and Model Numbers are subject to change without notice.

Manufactured & Marketed By

ELECTRONET EQUIPMENTS PVT. LTD
 PROCESS CONTROL INSTRUMENTS & AUTOMATION

Plot No 85 & 86, Tiny Industrial Estate, Kondhwa Bk.
 Pune - 411 048, Maharashtra, India
 Telefax: +91 20 2693 4122 / 1476
 E-mail: elecnet@vsnl.com / eeplsales@dataone.in
 Web: www.electronetequipments.com

REP BY: