



Mianyang Weibo Electronic Co.,Ltd

*Designing, Manufacturing and Supplying WB Series Electric Isolated Sensor and Digital
Electrical Transducer since 1989*

USER MANUAL

WB3V414U01 Three-phase AC voltage transducer

(Y type configuration)



www.wb-my.com

wblch@wbdz.cn

Technical Service: 86 816 2778271

Quality Complain: 86 816 2278273

Fax Line: 86 816 2281934

ISO9001 ISO14000 ISO18000

Certified

Quality Warranty

Any quality problem found in WB series products, we offer

Three years free charge of repair the products, and six months guaranteed free charge of change and return the products.

WB3V414U01 three-phase AC Voltage Transducer

Safety claim

The information in the safety claim of the equipment documentation is intended to ensure that equipment is properly installed in order to maintain it in a condition.

It is assumed that everyone who would be associated with the equipment should be familiar with the contents of that safety section, or this safety guide.

When electrical equipment is in operation, dangerous voltages will be present in certain parts of the equipment (e.g. the input terminal). Failure to observe warning notices, incorrect use, or improper use may endanger personnel and equipment and cause personal injury or physical damage.

Before working in the terminal strip area, the equipment must be isolated.

Proper and safe operation of the equipment depends on appropriate shipping and handling, proper storage, installation and commissioning, and on careful operation, maintenance and servicing.

The operating manual for the equipment gives instructions for its installation, commissioning, and operation. However, the manual cannot cover all conceivable circumstances or include detailed information on all topics. In the event of questions or specific problem, do not take any action without proper authorization. Contact the appropriate WB technical sales office and request the necessary information.

Standard application

1. Accuracy

Accurate degree is conformed to IEC688:1992

2. Safety

2.1 Overload capability

Overload capability is conformed to IEC688:1992

2.2 Isolation voltage

Can be endured testing voltage is conformed to Q/72085584-0.1-2004

2.3 Insulation impedance

The insulation impedance is no less than 20M Ohm, is conformed to Q/72085584-0.1-2004

3. Electromagnetic Capability

3.1 Electromagnetic field immunity test according to IEC 61000-4-3:1995

3.2 Power frequency magnetic field immunity test according to IEC 61000-4-8:1993

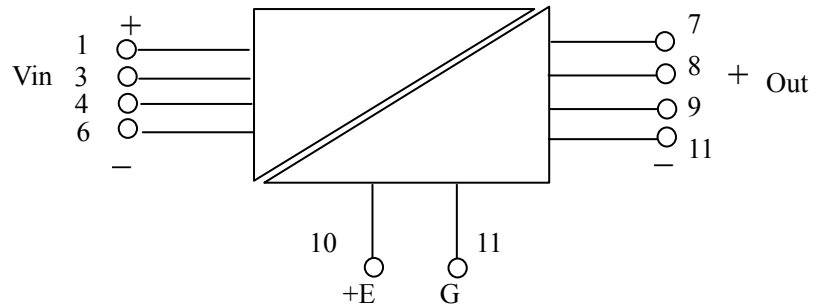
Product Description and Application

WB3V414U01 is mainly used for measuring parameters from 3-phase 4 wired system. It converts AC input voltage into a load independent output signal DC current 4-20mA and has adopted electromagnetic isolation principle and average measurement method for real time measurement of AC voltage from 3-phase 4 wired electric net or electric circuit system.

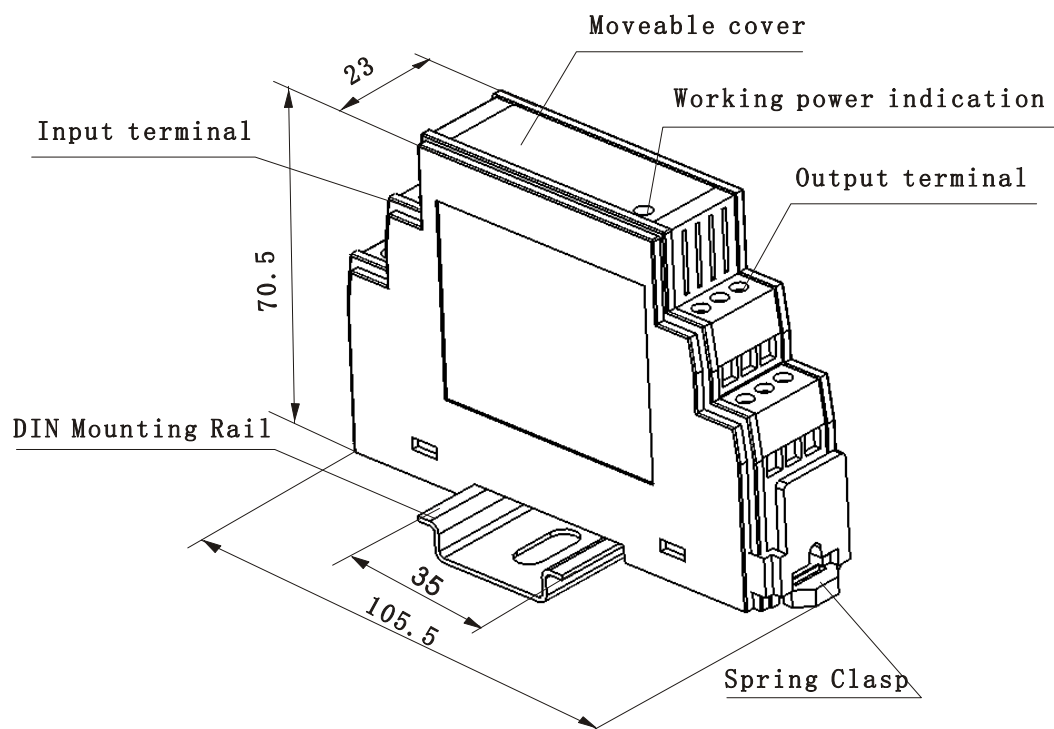
The product has certain advantages of total galvanic isolation between input and output, high

accuracy, low drifting by temperature, wide temperature bearable range and compact, etc.

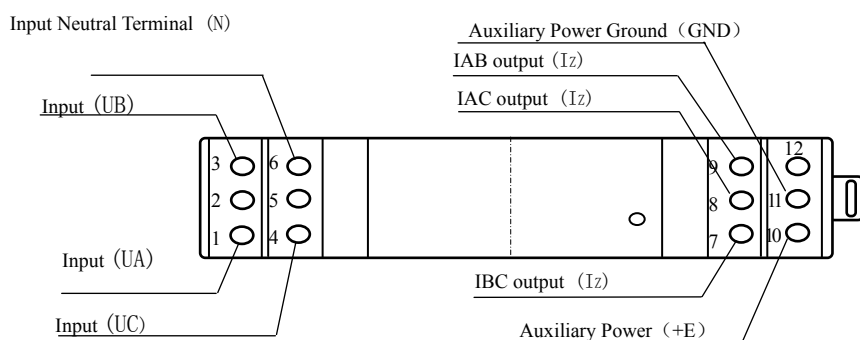
Function realization schematic drawing



Product Dimensional Drawing (unit: mm)



Product Terminal Identification Drawing



Non-identified terminals cannot be used

Terminal definition table

1	UA (input)
3	UB (input)
6	N (neutral)
4	UC (input)
7	IBC(output)
8	IAC(output)
9	IAB (output)
10	+E
11	GND

Key Technical Data:

1. Input: 10...1000V;
2. Output: 4-20mA
3. frequency range: 25Hz~5kHz
4. Accuracy : 0.5%
5. Input Impedance (R): $R_i = V_x \times 1k\Omega/V$
6. Linear Range: 0-120% of nominal input
7. Responding Time: 300ms
8. Over Load Capacity: 2 times of nominal input, continuous;
9. Maximum Load: 6V
10. static current: 8mA
11. Auxiliary Power: +24V,dc
12. Isolation Voltage: $\geq 2500V_{dc}$, for 1 minute
13. Output Ripple: $< 6mV$ (root-mean-square value, output load is 250Ohm)
14. Drifting by Temperature: $3.5 \times 10^{-4}/^{\circ}C$
15. Ambient Temperature: (commercial grade) $0^{\circ}C \sim +50^{\circ}C$
16. Mounting : DIN Rail 35mm Mounting

Instruction of Installation and Use

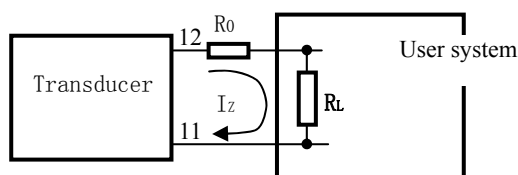
Mianyang Weibo Electronics Co., Limited
 No.7 Road 2 of Xianren Road Youxian District Mianyang City P.R. China
 Tel: 86-816-2971265 Fax: 86-816-2281934
www.wb-my.com wblch@wbdz.cn

1. The product has adopted structure compliance with EN50022; suitable for DIN rail mounting NS35/7.5, NS35/15. Installation steps are as following (please reference to dimensional drawing):

- Step 1: Immobilize one side of product's mounting trough to the DIN mounting rail;
- Step 2: Pull out the spring clasp;
- Step 3: Place whole mounting trough to the DIN mounting rail properly;
- Step 4: Release spring clasp to make sure the installation.

2. The product has calibrated before out of factory. After correctly wiring, it can be powered and used immediately. But for further precise signal sampling, user needs to warm-up the product for 3 minutes before use.

- a) The auxiliary power requires isolation voltage $\geq 2000V_{AC}$, DC current output ripple $< 10mV$, and multiple converters can share with one set auxiliary power together.
- b) Output signal (I_z) is designed to follow the impedance load value of 250Ω ; When Resistance (R_1) is less than 100Ω , the user must add output current circuit a power reduced resistance load R_0 to keep the summation of total impedance value is between $100\Omega \sim 250\Omega$



3. Basic testing method for accuracy

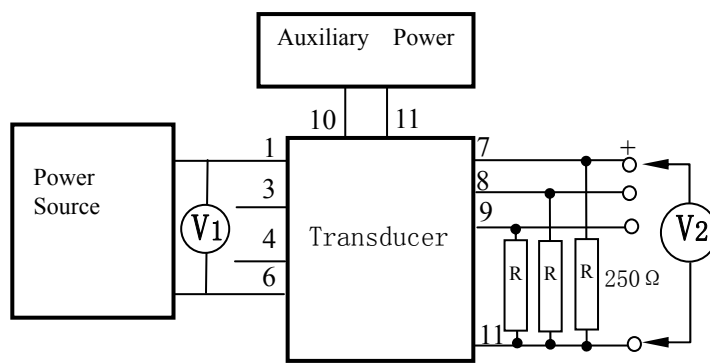
- (1) According to the terminal definition table to connect the testing circuit;
- (2) The testing must to be done by under the following conditions;

Auxiliary power: $24V \pm 1\%$, ripple $\leq 5mV$

Ambient temperature: $25^\circ C \pm 2^\circ C$

Relative humidity: RH(45~75)%

Accuracy for Signal Power Source instrument: 0.05



R—STANDARD RESISTOR

- (3) Warming up the transducer for 3 minutes
- (4) Using output monitoring meter V1 to measuring the output of signal power source instrument, set any input value which is within the measuring range of the transducer V_r . (e.g. if input value is 100V, the output is 4-20mA, the expected output value I_z should be calculated as: $I_z = (20\text{mA} - 4\text{mA}) \times V_r / 100$)
- (5) Using output monitoring meter V2 to measuring the output voltage V_0 of the transducer, the basic introduced error γ of the transducer should be calculated as:

$$\gamma = (V_0 - I_z \times 250 \Omega) / [(20\text{mA} - 4\text{mA}) \times 250 \Omega] \times 100$$
- (6) Repeating step (4) (5), if calculated absolute value is less than the given accuracy value of the transducer, it shows the transducer's accurate grade is qualified.

Caution:

1. Pay attention to the auxiliary power information, especially the auxiliary power grade, and polarity, other wise will damage the product.
2. Pay attention to the wire connection; wrong terminal connection will cause malfunction of the product and even damage the product;
3. Don't dismantle the product, and carry with care to avoiding bump and fall of the product;
4. If the product has been using under the environment with strong magnetic field interference, please pay attention to the shield of input wire, and the output signal wire should be as short as possible. For product intensive installation, the space between each product should not be smaller than 10mm.
5. Only use identified terminals.
6. There is no lightning strike prevention circuit design in this product. For out door and hazardous environment using, please add protective alternatives.
7. This product uses fire prevent ABS crust, its temperature withstand is only limited as +85°C, higher than this limitation will cause the product deformation. Please use and store carefully.

Warranty:

- (a) Product Warranty: Seller warrants that upon Delivery the Product to be supplied by

Mianyang Weibo Electronics Co., Limited
 No.7 Road 2 of Xianren Road Youxian District Mianyang City P.R. China
 Tel: 86-816-2971265 Fax: 86-816-2281934
www.wb-my.com wblch@wbdz.cn

Weibo shall be completely new and shall comply in all respects with the Technical Specification confirmed with Buyer.

- (b) Warranty Period: Three-year warranty of free charge of repairing the product , and any purchase made in six months, Weibo will provide free charge of change and return the product if damage and problem caused by product quality.

Note: Transportation fee of repaired and returned product will be borne by Buyer

Product Input-Output characteristic curve

