

### SALIENT FEATURES

- Cost Effective
- Flow indicator Totaliser with rotameter.
- Measures flow rate of liquids having wide range of viscosity.
- Applicable for conductive & non-conductive liquids.
- Direct 4 - 20 mA DC retransmission output with 20 point linearisation.
- Additive Feature of Remote Control Unit for Programming.

### DESCRIPTION

Electronet Rotameter are general purpose, direct reading, relatively simple instruments, recommended for universal use, where a reliable sensitive repeatable indication of continuous flow rate is required for process control, or other purpose. This type of instrument consists of essentially a vertical mounted, tapered, calibrated tube with a float inside it. Electronet make Rotameters are designed to meet the rate of flow of liquid or gases inside a pipe line or tubing is to be measured

Electronet's Series FL-200 series of Flow Indicators Totaliser is used to monitor the flow for metal tube rotameter using Hall Effect principle. Input is processed with 10 point linearisation using microcontroller according to requirement. Flow rate/Totalisation is indicated on 8 digit LED/LCD display. The built in battery backup is provided for the memory to avoid loss of data in case of power failure. Microcontroller based Design provides full flexibility for flow metering applications. Optional batch relay is also available.



### I) SPECIFICATIONS FOR ROTAMETER

Wetted Parts	: SS 304, SS 316, CS, PP, PTFE Lined
Floats	: SS 316, PTFE, PVC, PP
Packing	: Neoprene, PTFE, Silicon
Scale	: PVC, Aluminium, SS Engraved
Scale Length	: 175 - 200 mm Aprox.
Accuracy	: $\pm 2\%$ of full flow.
Rangeability	: 10 : 1
End Connection	: Flanged, Threaded M/F
Mounting	: Online or Flush Panel
Accessories	: High & Low flow alarm
Local Display	: Digital.
Max. Pressure	: 14 Kg /Cm <sup>2</sup> , (Higher Pressures on Request)
Max. Process Temp.	: 150°C

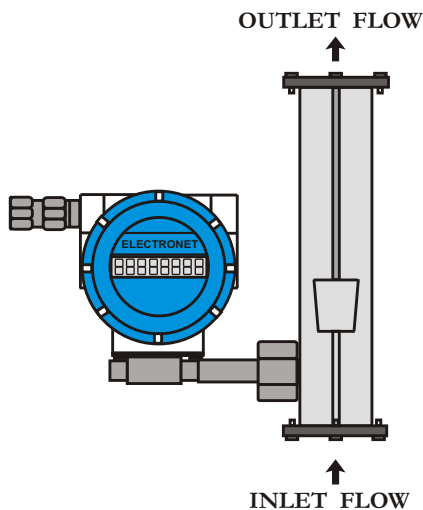
### II) INDICATOR TOTALISER

Input	: From Rotameter Assembly
Output	: 4-20 mA DC, Isolated
Range	: Programmable
Display	: 8 digit, 7 Seg. 0.3" Red LED/LCD
Power Supply	: 24 V DC, (150 mA External)
Accuracy	: Better than $\pm 2\%$ of Full Scale
Relay Output	: Hi / Lo, 1 c/o, 1 Amp @ 230VAC
Enclosure Material	: Die Cast Aluminium Lm6
Enclosure Class	: Flame Proof, IP 66, IIA, IIB CMR Certified
MOC	: SS316
Termination	: Through Pin Type Lugs

## FOR RATE OF WATER AND AIR WITH SS FLOAT

Nominal bore of end connection						Water at 20°C Temperature LPH	Air at Amb. Temperature NM <sup>3</sup> /hr	Pressure Rating PSIG
15	20	25	40	50	80			
						3-30	0.1-1	400
						6-60	0.2-2	
						10-100	0.3-3	
						20-200	0.6-6	300
						25-250	0.8-8	
						30-300	1.0-10	
						50-500	1.6-16	
						60-600	2.0-20	200
						100-1000	3.0-30	
						120-1200	4.0-40	
						150-1500	5.0-50	
						200-2000	6.0-60	150
						300-3000	10-100	
						400-4000	13-130	
						450-4500	15-150	
						500-5000	-	100
						600-6000	20-200	
						800-8000	-	
						1000-10000	30-300	
						1200-12000	-	
						1500-15000	50-500	
						2000-20000	-	
						2500-25000	-	
						3000-30000	-	

### MOUNTING DETAILS



#### NOTE :

For proper selection of Hall Effect based Rotameter Transmitter kindly send following details.

- 1) Service
- 2) Line Size
- 3) Process Connections
- 4) Range
- 5) MOC for Rotameter
- 6) Process Temperature
- 7) Process Pressure
- 8) Viscosity
- 9) Specific Gravity

Due to our continuous product revisions, Design, Specifications and Model Numbers are subject to change without notice.

MANUFACTURED & MARKETING BY

**ELECTRONET EQUIPMENTS PVT. LTD**  
PROCESS CONTROL INSTRUMENTS & AUTOMATION

Plot No 85 & 86, Tiny Industrial Estate, Kondhawa Bk.

Pune - 411 048, Maharashtra, India

Tele: +91 20 2693 4121 / 1476

Fax: +91 20 2693 4122

E-mail: [elecnet@vsnl.com](mailto:elecnet@vsnl.com) / [eeplsales@dataone.in](mailto:eeplsales@dataone.in)

Web: [www.electronetequipments.com](http://www.electronetequipments.com)

REP BY: